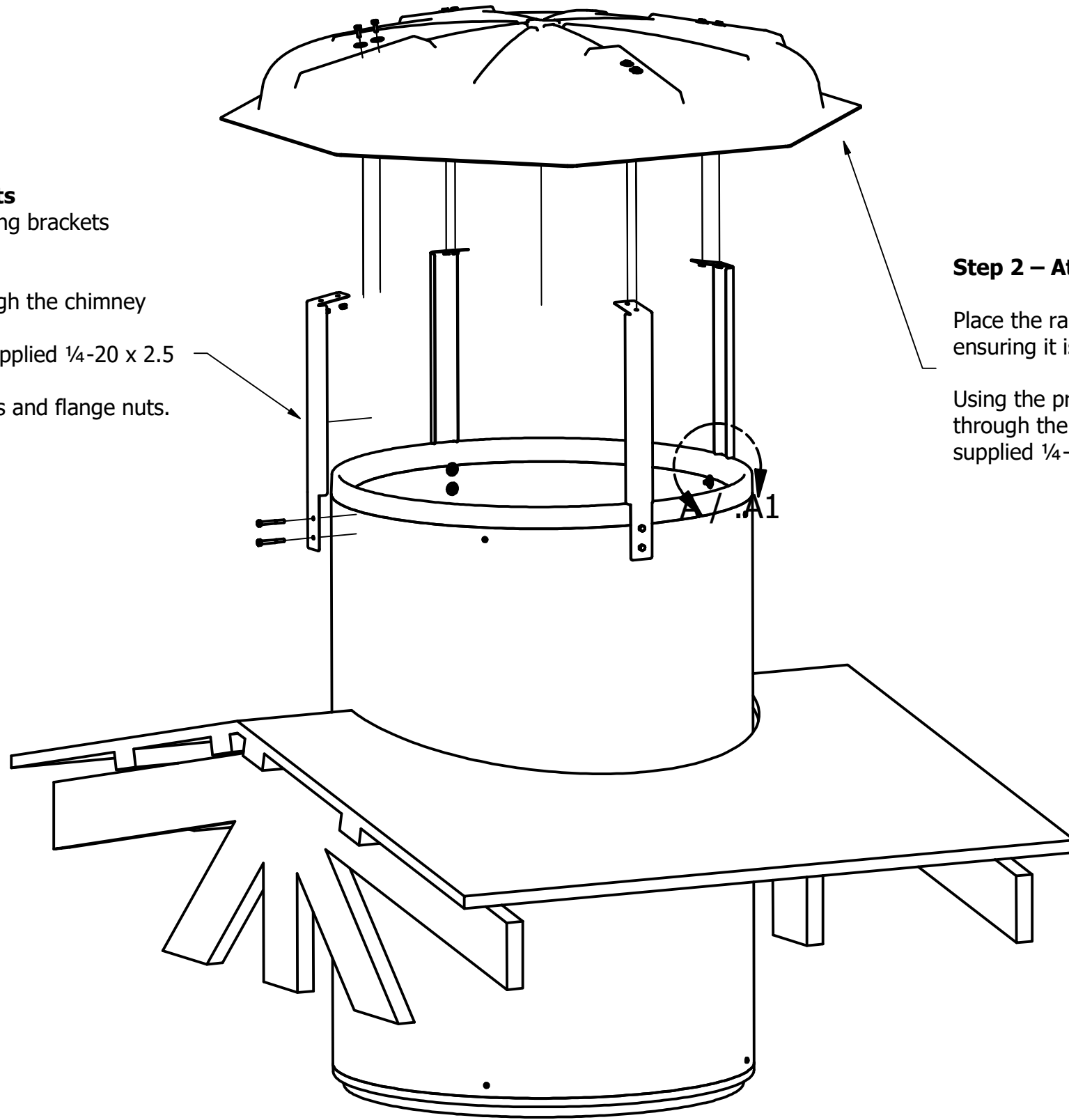


Better Air Chimney Fan Rain Cap Installation

Step 1 - Install Mounting Brackets

Position the supplied rain cap mounting brackets (BA117744) evenly around the chimney tube at $\frac{1}{4}$ intervals. drill $\frac{1}{4}$ -inch holes through the chimney tube and secure each bracket using the supplied $\frac{1}{4}$ -20 x 2.5 hex bolts, along with the provided plain washers and flange nuts.



Step 2 - Attach the Rain Cap

Place the rain cap on top of the installed mounting brackets, ensuring it is centered and aligned properly.

Using the pre-drilled bracket holes as a guide, drill $\frac{1}{4}$ -inch holes through the rain cap. Secure the rain cap to the brackets using the supplied $\frac{1}{4}$ -20 x 0.75 hex bolts.

