

50 Inch Belt Drive Wall Fan

Model Number - FW-50

RSO- 58" x 58"


Motor- AGI

HP- 1.5

Amps- 6.8/13.6

Volts-115/230

PROPRIETARY AND CONFIDENTIAL
 THE INFORMATION CONTAINED IN THIS DOCUMENT IS PROPRIETARY TO BETTER AIR MFG AND IS NOT TO BE COPIED OR TRANSFERRED WITHOUT THE WRITTEN PERMISSION OF BETTER AIR MFG

DRAWN thaddeus	2022-08-23		MacGregor, MB, Canada Box 490, R0H 0R0 Ph. (204) 252-2333 Fax (204) 252-2928 www.betterair.ca		
CHECKED			DESCRIPTION		
QA		PART NO. BA113196			
MFG					
APPROVED					
DIMENSION	inch [mm]				
STOCK NO.		SCALE	NTS	MATERIAL	REV
THICKNESS		SHEET 1 OF 3			

4 3 2 1

PARTS LIST

ITEM	QTY	PART NUMBER	DESCRIPTION
1	1	BA101642	Mount Post Left FW50M
2	1	BA101643	Mount Post Right FW50M
3	2	BA101638	Post Mounting Plate FW50M
4	1	BA101639	Impeller Mount FW50M
5	1	BA101640	Frame Mount Plate FW50M
6	1	BA101641	Belt Tensioner Bracket FW50M
7	1	BA101636	Vosterman Aux. Motor Mount
8	22	BA100032	Hex Bolt_1/4-20 UNC - 0.75_Stainless Steel
10	1	101686	Belt Tensioner 4" A-belt
13	1	ANSI B18.8.2 - 1/4 x 5/8	Pin - Slotted Spring
14	22	BA109357	Hex Lock Nut_1/4 - 20 Top Insert Type_Stainless Steel

PROPRIETARY AND CONFIDENTIAL
 THE INFORMATION CONTAINED IN THIS DOCUMENT IS PROPRIETARY TO BETTER AIR MFG AND IS NOT TO BE COPIED OR TRANSFERRED WITHOUT THE WRITTEN PERMISSION OF BETTER AIR MFG

DRAWN thaddeus	2022-08-23		MacGregor, MB, Canada Box 490, R0H 0R0 Ph. (204) 252-2333 Fax (204) 252-2928 www.betterair.ca	
CHECKED			DESCRIPTION	
QA		Vosterman Impeller Mount ASSY		
MFG				
APPROVED				
DIMENSION	inch [mm]			
STOCK NO.		PART NO. BA101637	REV 1	
THICKNESS		SCALE NTS	MATERIAL	
		SHEET 2 OF 3		

4 3 2 1

4

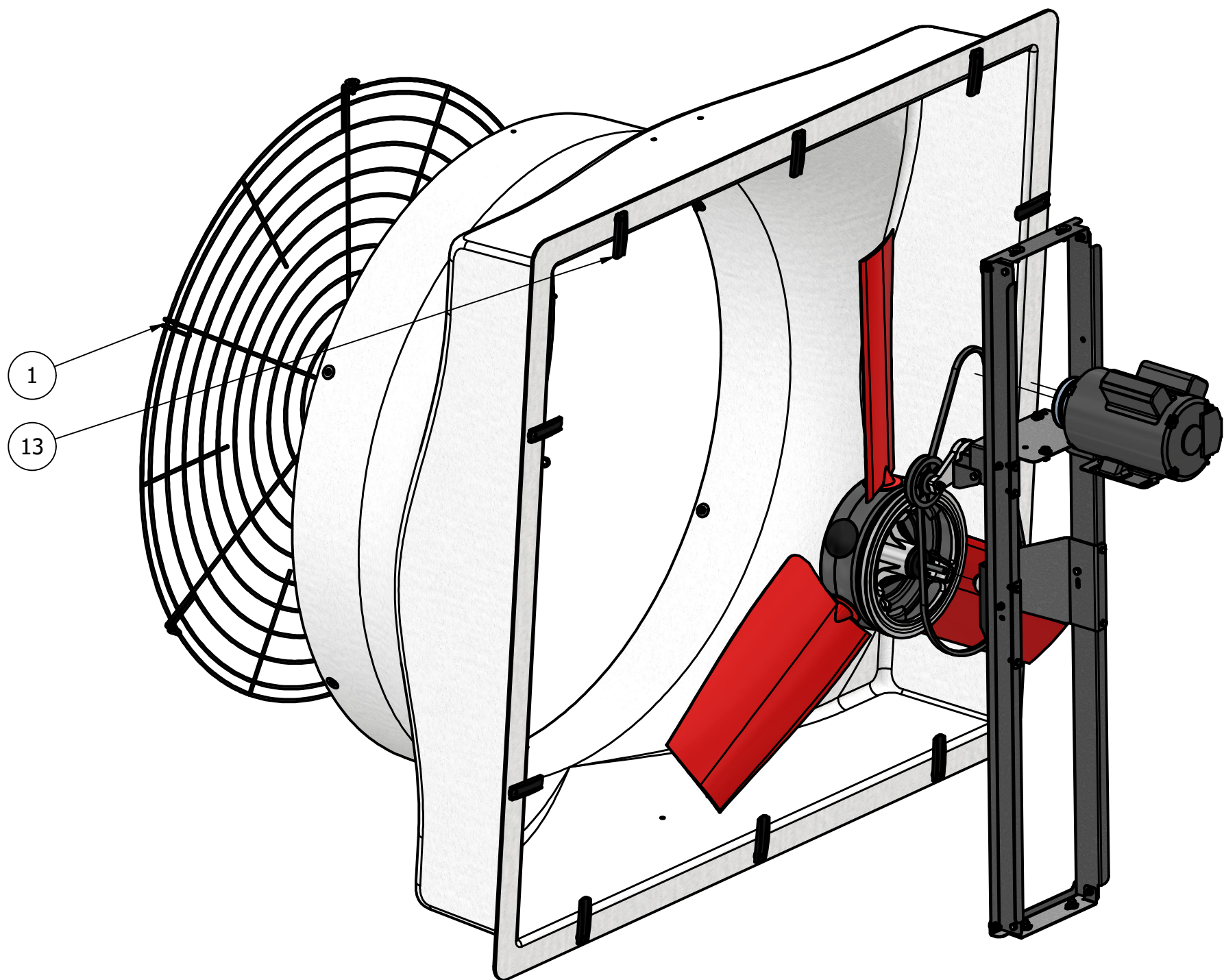
3

2

1

PARTS LIST

ITEM	QTY	PART NUMBER	DESCRIPTION
1	1	BA101390	Wall Fan Housing 50in Fiberglass FRP White
2	1	FG-50-SS	FG-50 Wire Guard Stainless Steel - 50in x 2in x 6P
3	6	FS245	Button Head Bolt_1/4 - 20 x 1_Stainless Steel
4	12	BA101119	Plain Washer_1/4 - wide - Type B_Stainless Steel
5	6	BA100134	Hex Nut_1/4 - 20_Stainless Steel



B

B

A

A

A

A

DRAWN thaddeus	2022-08-23		MacGregor, MB, Canada Box 490, R0H 0R0 Ph. (204) 252-2333 Fax (204) 252-2928 www.betterair.ca
CHECKED			
QA		DESCRIPTION	
MFG		FW50M - Wall Fan 50" Fiberglass White	
APPROVED		PART NO.	REV
DIMENSION	inch [mm]	FW-50M	A
STOCK NO.		SCALE	MATERIAL
THICKNESS		NTS	

PROPRIETARY AND CONFIDENTIAL
 THE INFORMATION CONTAINED IN THIS DOCUMENT IS PROPRIETARY TO BETTER AIR MFG AND IS NOT TO BE COPIED OR TRANSFERRED WITHOUT THE WRITTEN PERMISSION OF BETTER AIR MFG

4

3

2

1