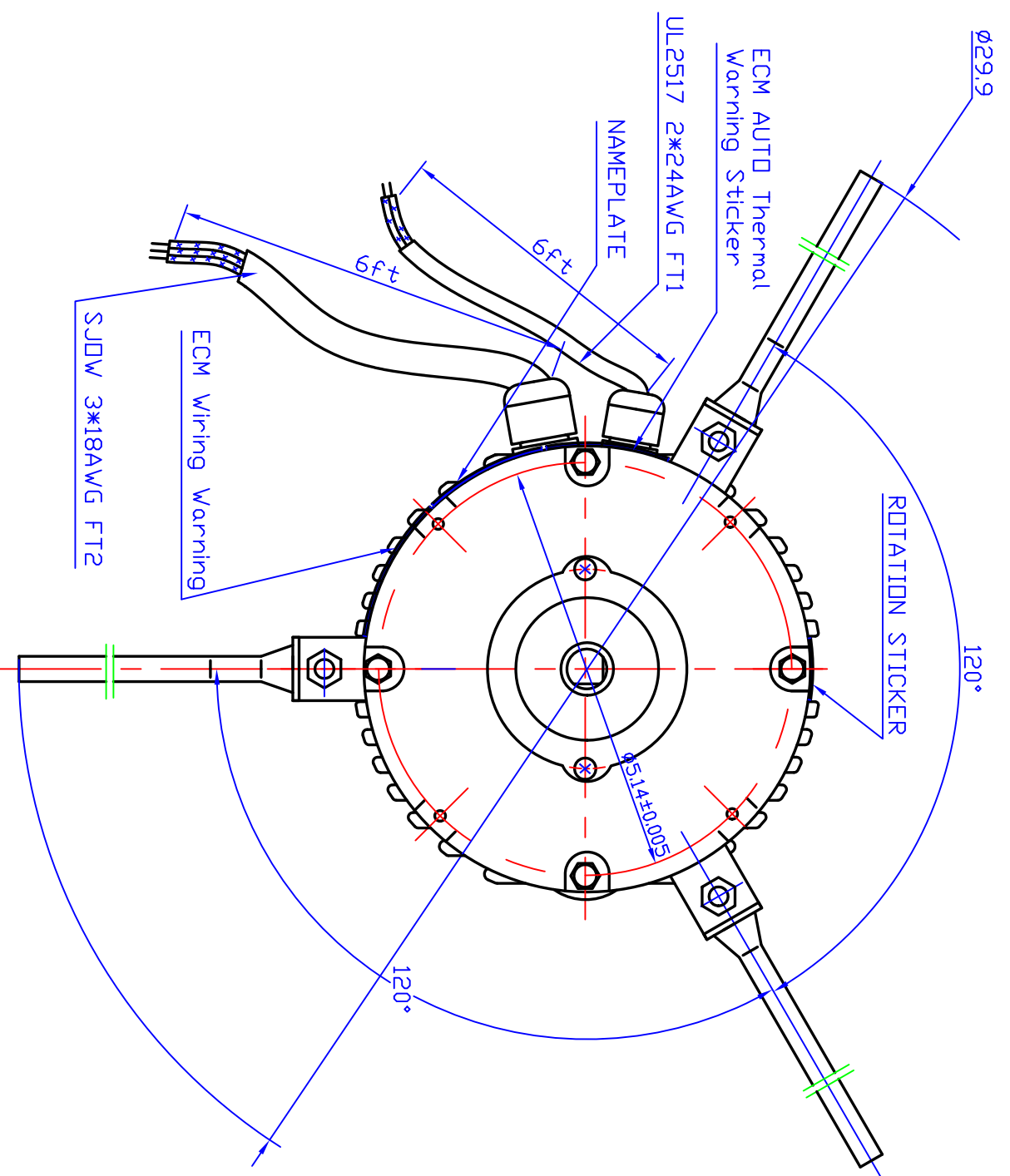
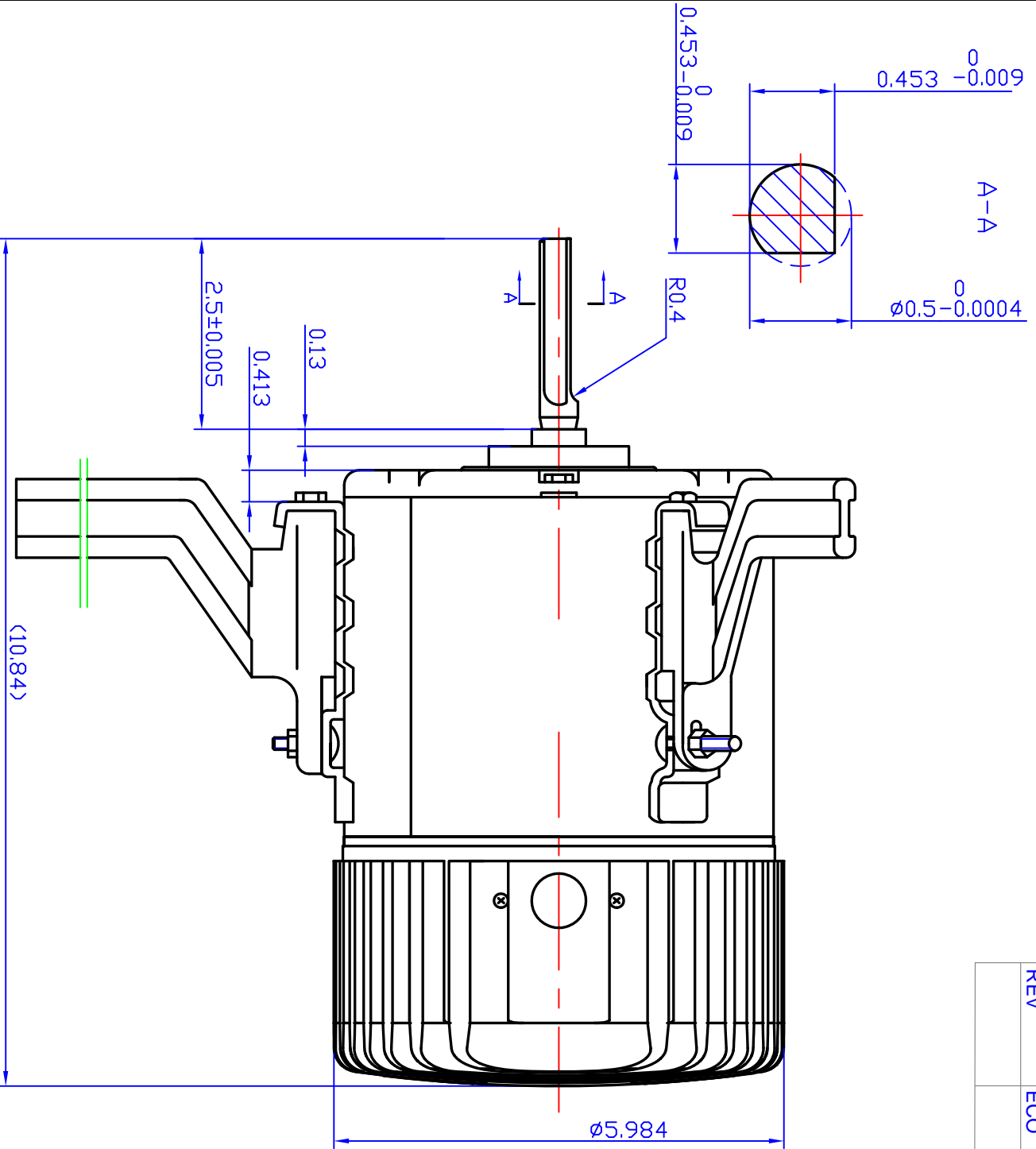



REV	ECO	REV BY	DATE	APPD	DATE



IND#	Model Number	HP	VOLTS	FRAME	Hz	RPM	EFF
EC907	ECN48B12BN/EC10V-A	1/2	115/230	48Y	50/60	450-1800	85.1%

DR BY: _____

APPD: _____

FIRST ANGLE PROJECTION  EDS DATE _____ VERSION _____

CONFIDENTIAL PROPERTY OF GW ELECTRIC (SHANGHAI) CORPORATION AND ARE NOT TO BE DISCLOSED, DUPLICATED, OR OTHERWISE USED WITHOUT THE WRITTEN CONSENT OF GW ELECTRIC (SHANGHAI) CORPORATION, OR ITS AGENT, AG-I MOTORTEC INC. - ALL RIGHTS RESERVED

AG-I **AG-I MOTORTEC INC.,**

DESCRIPTION: EC907 OUTLINE

SIZE: A3 DWG NO: _____

SCALE: 1:2 SHEET _____