

4

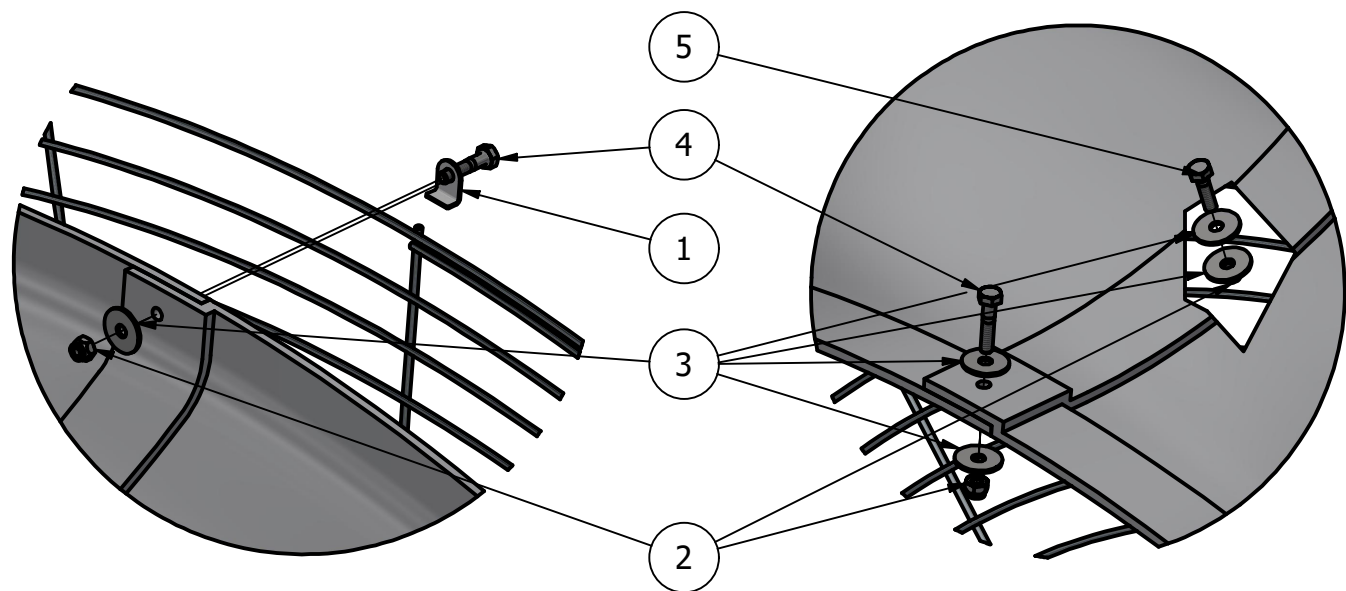
3

2

1

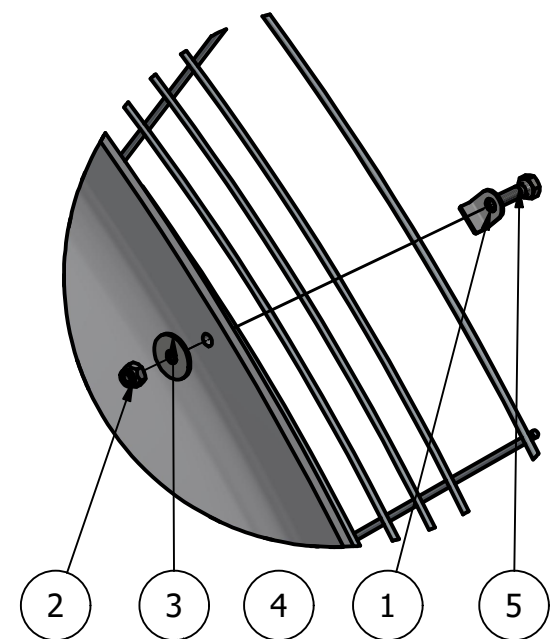
DETAIL A
(3 Sets)

DETAIL B
(3 Sets)

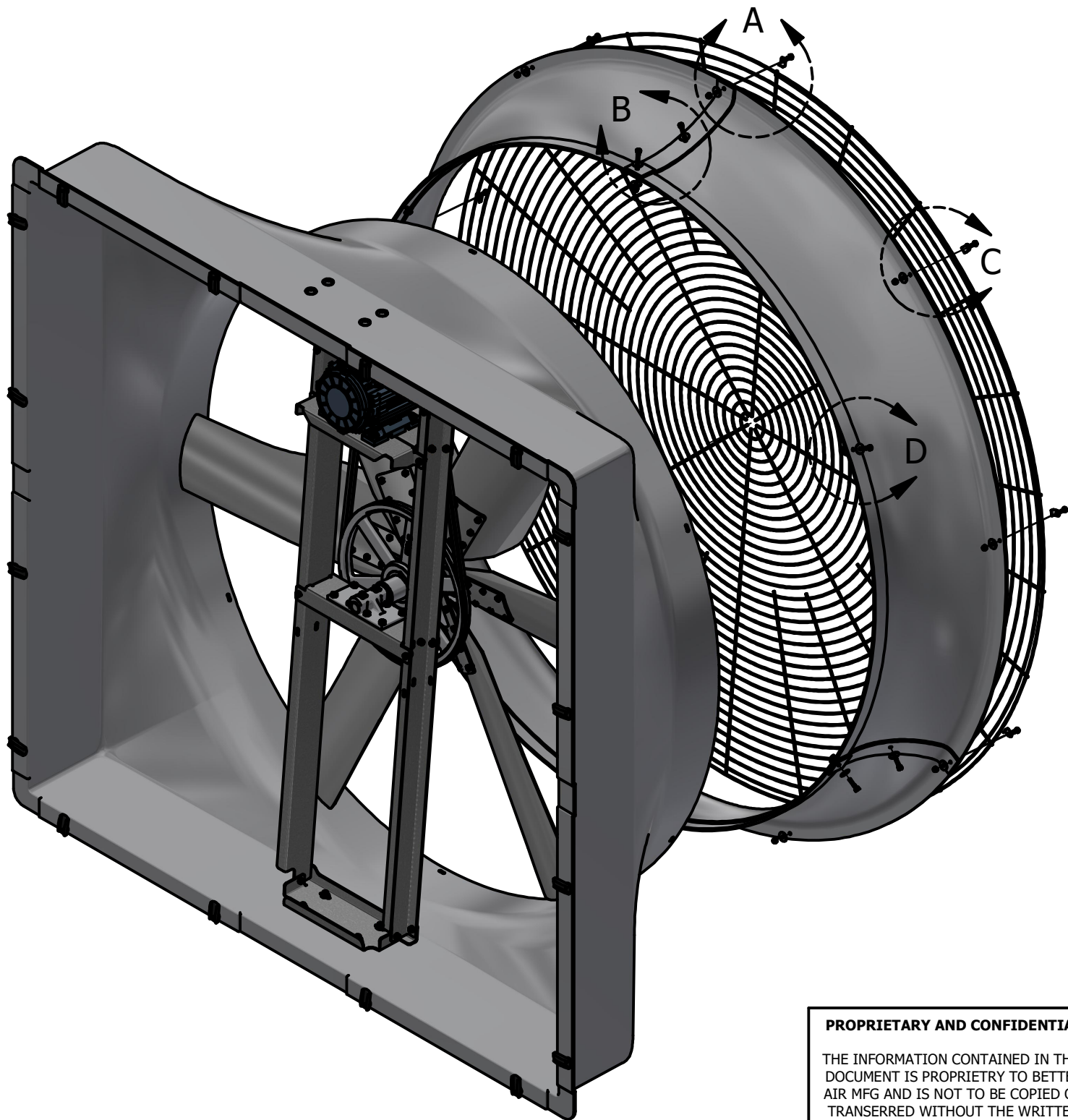
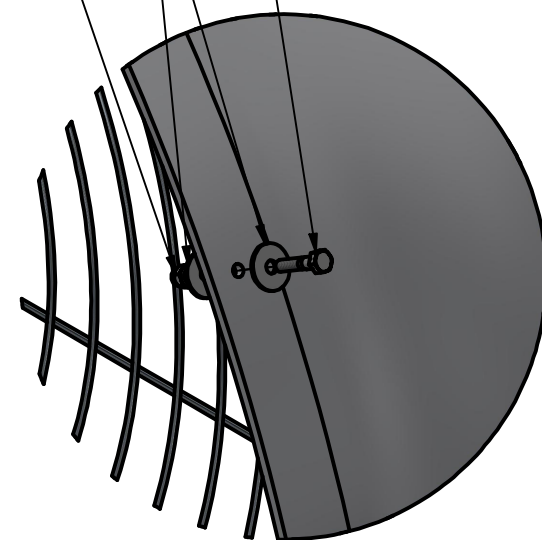


PARTS LIST				
ITEM	QTY	PART NUMBER	DESCRIPTION	
1	9	BA103463	Guard Wire Clip	
2	18	BA109357	Hex Lock Nut_1/4 - 20 Top Insert Type_Stainless Steel	
3	25	BA-100149	Plain Washer_1/4 - wide - Type B_Stainless Steel	
4	7	BA100035	Hex Bolt_1/4-20 UNC - 1.25_Stainless Steel	
5	9	BA-100034	Hex Bolt_1/4-20 UNC - 1_Stainless Steel	
29	1	FS-72	Fan Shutter 72 Inch	

DETAIL C
(6 Sets)



DETAIL D
(3 Sets)



PROPRIETARY AND CONFIDENTIAL
 THE INFORMATION CONTAINED IN THIS DOCUMENT IS PROPRIETARY TO BETTER AIR MFG AND IS NOT TO BE COPIED OR TRANSFERRED WITHOUT THE WRITTEN PERMISSION OF BETTER AIR MFG

DRAWN MW	2019-04-11		MacGregor, MB, Canada Box 490, ROH 0R0 Ph. (204) 252-2333 Fax (204) 252-2928 www.betterair.ca	
CHECKED			DESCRIPTION	
QA		FW-72 Wall Fan 72in Fiberglass FRP White, Toptech 3HP 575V 60HZ 1PH, RSO 78in x 78in		
MFG		PART NO. FW-72-31		REV B
APPROVED		SCALE NTS		MATERIAL
DIMENSION	inch [mm]	SHEET 1 OF 1		
STOCK NO.				
THICKNESS				

4

3

2

1